



深圳市金驹科技有限公司

Shenzhen Jinju Technology Co., Ltd.

承认书

ACKNOWLEDGMENT

客户名称 (client's name) : _____

客户料号 (Customer item number) : _____

产品型号 (Product number) : JJ-AC136150

产品名称 (product name) : DC/AC-DC 降压恒流驱动电源

编制日期 (Date of preparation) : _____

制定 (Formulate)	审核 (Review)	批准 (Approve)
承认 (Admit)	审核 (Review)	批准 (Approve)

厂商：深圳市金驹科技有限公司

地址：深圳市龙城街道龙西社区清水路鹏大地工业区14栋4楼

电话：0755 - 84861299 传真：0755 - 84860299

邮箱：2880362299@qq.com 网址：<http://www.szjpower.cn/> <http://www.szjjled.com/>

Manufacturer: Shenzhen Jinju Technology Co., Ltd.

Address: 4th Floor, Building 14, Peng Dadi Industrial Zone, Qingshui Road, Longxi Community, Longcheng District, Shenzhen

Tel: 0755 - 84861299 Fax: 0755 - 84860299 E-mail: 2880362299@qq.com

Website: <http://www.szjpower.cn/> <http://www.szjjled.com/>

产品描述(Product description):

★本电源是一款高稳定性的LED恒流驱动电源。内部滤波器件使用品牌绿宝石电容，高频低阻，105℃高温下，时长8000H，低温时间更长。具有启动快速，兼容负载范围宽，保护功能齐全，输入DC/AC36V，输出DC28-34V，高精度的恒流控制，极高的效率和可靠的性能，以及小型的外观结构会使你的灯具更加趋于完美。

★ This power supply is a high stability LED constant current drive power supply. The internal filter components use branded emerald capacitors, high frequency and low resistance, at 105°C high temperature, the duration is 8000H, and the low temperature time is longer. It has fast start-up, wide compatible load range, complete protection functions, input DC/AC36V, output DC28-34V, high-precision constant current control, extremely high efficiency and reliable performance, and small appearance structure will make your lamps more Tend to be perfect.

产品特点(Features):

- ★输入DC/AC36V。
- ★输出DC28-34V, 恒流4.5A。
- ★输出开路，短路，过压，过温保护。
- ★采用LED专用防水环氧树脂AB胶，通过导热胶与铝壳接触，散热效果极佳，满负载输出时外壳表面温度不超过65℃ (在环境25℃测量)，室内户外均可使用，两端各设两个机械固定孔位，适用于多种内部安装应用。

- ★ Input DC/AC36V.
- ★ Output DC28-34V, constant current 4.5A.
- ★ Output open circuit, short circuit, over voltage, over temperature protection.
- ★ Use LED special waterproof epoxy resin AB glue, contact with the aluminum shell through the thermal conductive glue, the heat dissipation effect is excellent, the surface temperature of the shell does not exceed 65 °C (measured at the environment 25 °C) when the output is full load, and can be used indoors and outdoors. There are two mechanical fixing holes on each end, suitable for a variety of internal installation applications.

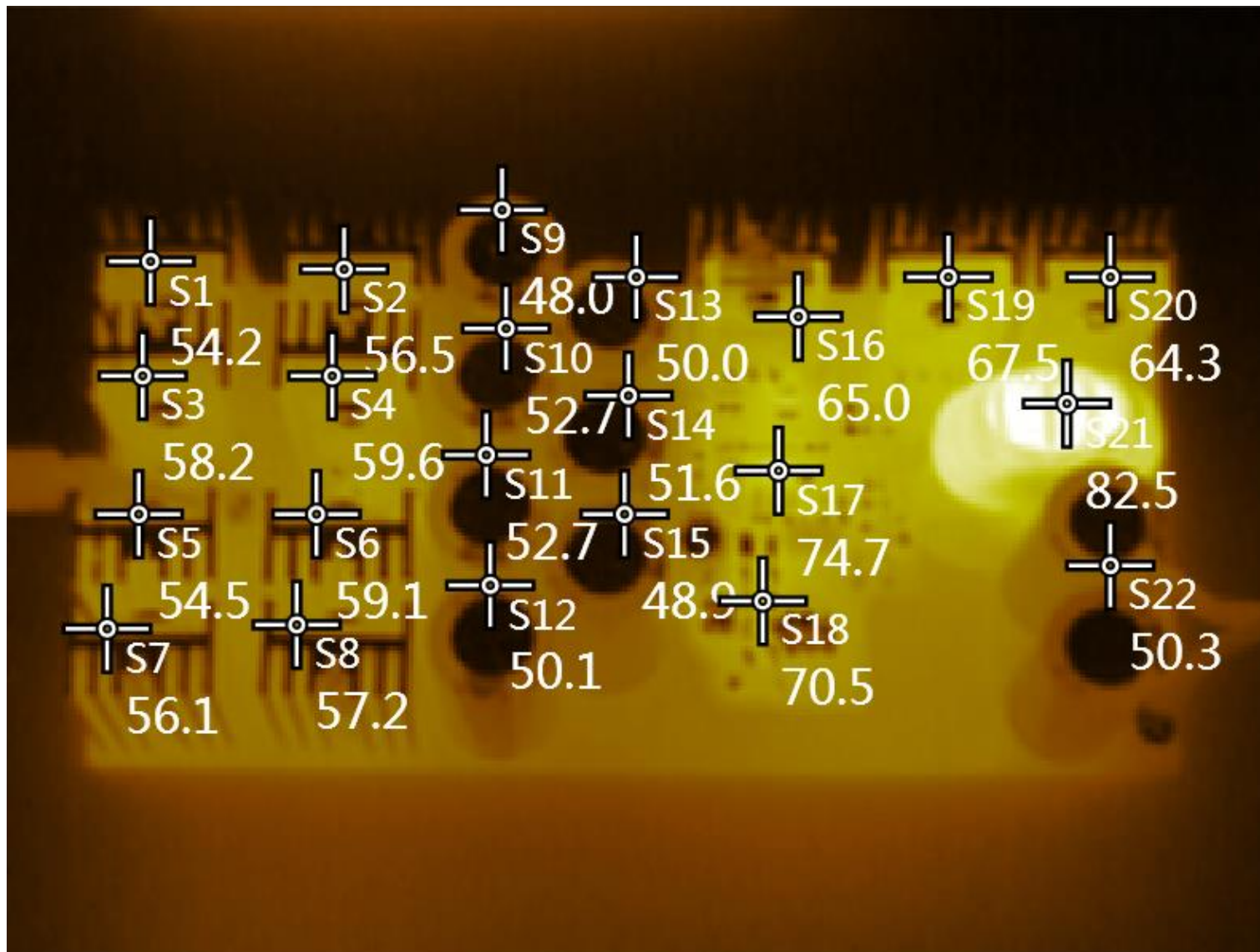
电气规格(Electrical specifications):

产品型号		JJ-AC136150			
输入参数	输入电压	DC/AC36V	环境特性	工作温度	- 20~+65℃
	输入电流	DC4. 2A/AC6A		工作湿度	20~80%RH
	额定功率	150W		耐震动	10~500HZ, 2G, 10min/周期, X、Y、Z方向各60min
		温度系数		±0.05%/℃ (0~60℃)	
				储存温度/湿度	- 40~+85℃ 10~95%RH
输出参数	输出电压	28-34V (10串)	其他	电磁干扰	设计参考: EN55015
	输出电流	4.5A		寿命	>100000H (25℃)
	电流精度	±5%		质保	3年
	输出功率	135W		平均无故障工作时间	>200000H
	效率	>95% (DC)		裸机尺寸	L*W*H: 120*57*30mm
	线性调整率	±3%		半铝防水尺寸	L*W*H: 163*63*40mm
	负载调整率	±3%		包装方式	中性包装
	启动/上升时间	18ms			
	断电保持时间	15ms			
输出保护	短路	输出无电流, 异常条件移除后可自动恢复			
	开路	电压自动限制在设定值			
	过温	100℃ ±10℃ 保护模式: 输出降电流 (外壳表面温度)			
	过压	保护模式: 输出降电流			
注	* 为了延长使用寿命, 建议配置负载时多留30%的余量。 * 所有电气性能测试均在25℃环境下完成, 如未特别说明, 所有规格参数均在DC/AC36V, 环境温度25℃测量。				

电性参数(Electrical parameters):

参数(Parameter)		典型负载(Typical load)		单位(Unit)
输入参数 Input parameter	输入电压(Input voltage)	DC36	AC36	V
	空载功率(Standby power)	0.3	0.5	W
	输入电流(Input current)	4.15	6	A
	输入功率(Input power)	149.4	154.0	W
输出参数 Output parameter	输出电压(Output voltage)	31.5	30	V
	输出电流(Output current)	4.55	4.55	A
	输出功率(Output power)	143.3	136.5	W
	效率(Efficiency)	96	89	%
注 Note	本列表数据除特殊说明外, Ta:25℃, 湿度<75%, 输入标称电压和输出额定负载时测得。 本列表数据仅供参考, 实际以产品实物为标准, 偏差范围<5%。 Unless otherwise specified, Ta: 25 °C, humidity < 75%, measured at input nominal voltage and output rated load. The data in this list is only for reference. In fact, it is based on the actual product, and the deviation range is less than 5%.			

热成像图(Thermography) :



S1-S8: 输入整流管(Input rectifier)

S9-S15: 输入滤波电容(Input filter capacitor)

S16: 功率MOS管(Power MOS tube)

S17: 电源芯片(Power chip)

S18: 取样电阻(Sampling resistance)

S19、S20: 续流二极管(Freewheeling diode)

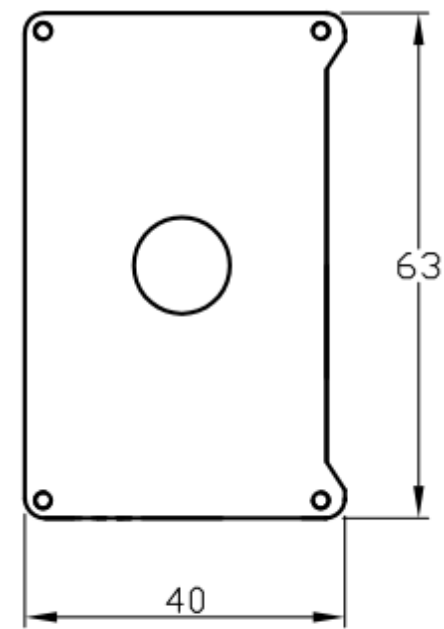
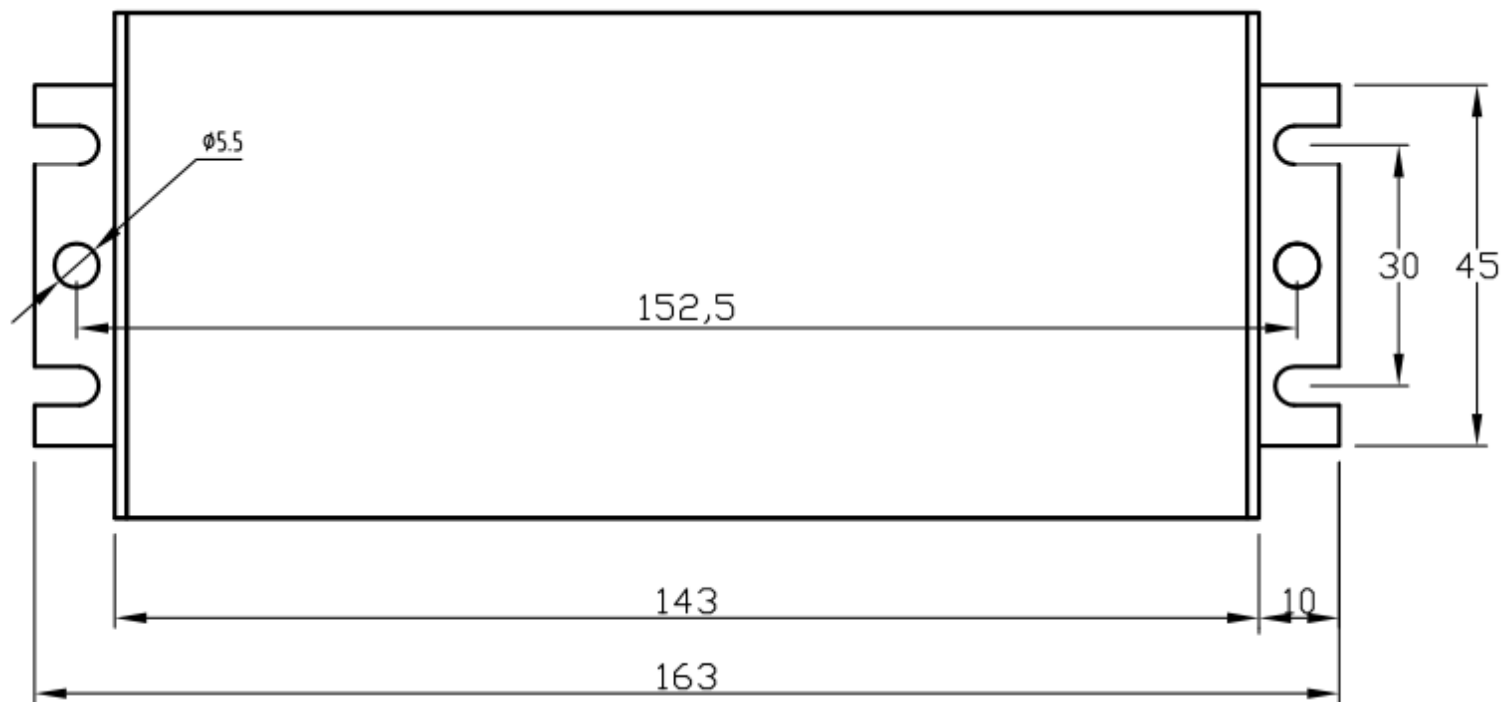
S21: 输出磁环(Output magnetic ring)

S22: 输出滤波电容(Output filter capacitor)

注: 环境35°C,湿度<75%, 长时间老化, 输入AC标称电压和输出额定负载时测得。

Note: TA: 35 °C, humidity < 75%, long time aging, input nominal voltage and output rated load.

安装尺寸图(Installation dimension drawing):



Unit:mm

产品使用说明(Product instructions):

- ★ 本产品主要应用于LED灯具（照明灯，景观灯，水底投光灯、太阳能路灯等），整机功率为**150W**。
- ★ 本产品是长形设计，操作时避免产品变形。
- ★ 产品输入端是直流/交流电输入，对应标签上“AC L”和“AC N”；输出端对应标签上“LED+”和“LED-”，“LED+”为输出正极，接LED正极，“LED-”为输出负极，接LED负极。
- ★ 使用时请注意安全，防止触电，避免与金属短路，必须用绝缘材料套好后方能放入灯具内。

注：在使用本电源时，请注意区分输入端和输出端，确保正确接线，核对无误后才能通电。

注：请确保输入线正负极不接反，确认无误，再开电源。

注：请先接好DC输出端的负载，确认无误，再开电源。

- ★ ★This product is mainly used in LED lamps (lighting lamps, landscape lamps, underwater floodlights, solar street lamps, etc.), with a power of **150W**.
- ★ This product has a long design to avoid product deformation during operation.
- ★ The input terminal of the product is DC/AC power input, corresponding to "AC L" and "AC N" on the label; the output terminal corresponds to "LED+" and "LED-" on the label, "LED+" is the output anode, connect to the LED anode, "LED-" is the negative electrode of the output, connected to the negative electrode of the LED.
- ★ Please pay attention to safety when using, to prevent electric shock, avoid short circuit with metal, it must be covered with insulating material before it can be put into the lamp.

Note: When using this power supply, please pay attention to distinguish the input terminal and output terminal, make sure that the wiring is correct, and the power can only be turned on after checking.

Note: Please make sure that the positive and negative poles of the input line are not reversed, confirm that they are correct, and then turn on the power.

Note: Please connect the load of the DC output terminal first, confirm that it is correct, and then turn on the power.

常见故障及处理方法 Common faults and Solutions

灯具不亮

Lamps and lanterns
are not bright

请切断DC/AC输入端并检查：

Please cut off the DC/AC input and check:

1.DC输出端是否接触不良；

Whether the DC output terminal is in poor contact;

2.DC输出端正负极是否接反；

Whether the positive and negative poles of DC output end are connected reversely;

3.DC/AC输入端是否接触不良；

Whether the DC/AC input is in poor contact;

4.DC/AC输入供电电源，功率是否够大，能否正常带的起**150W**负载。

Whether the power of DC input power supply is large enough and whether it can normally carry **150W** load.

排除以上故障后再测试。

Remove the above faults before testing.

灯具抖动

Lighting flicker

请切断DC/AC输入端，检查DC输出端：

Please cut off the DC/AC input and check the DC output:

1.有无过载、超载；

Whether there is overload or overload;

2.电源设计参数与实际使用参数不符。

The power supply design parameters are inconsistent with the actual use parameters.

注：产品在使用过程中如遇到其它疑问和问题，请及时与我司沟通、反馈不良信息，我司将积极助贵公司解决好问题。

Note: in case of any other questions and problems during the use of the product, please communicate with our company in time and feed back the bad information. Our company will actively help your company to solve the problems.